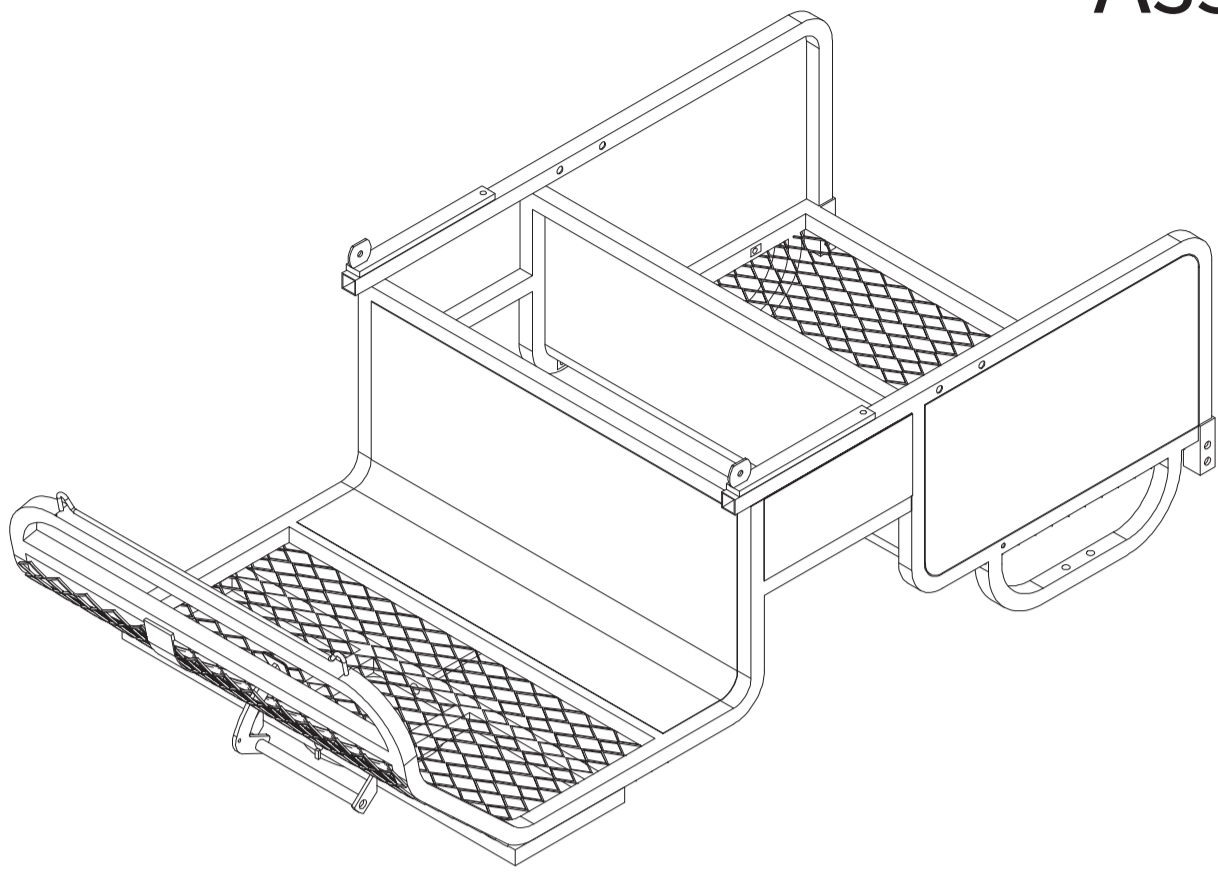
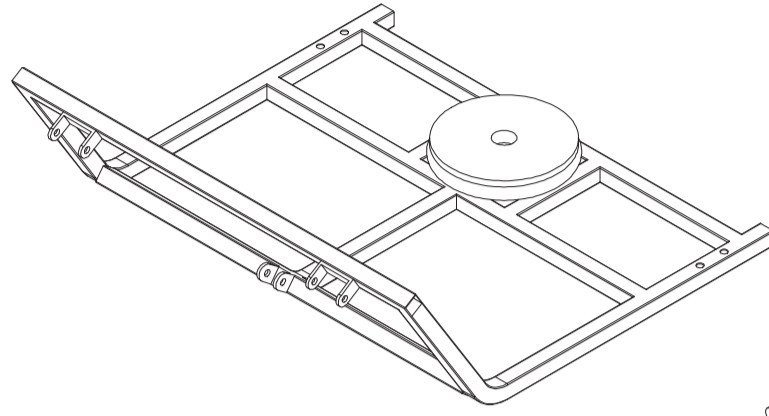


# Sulky Capriool®

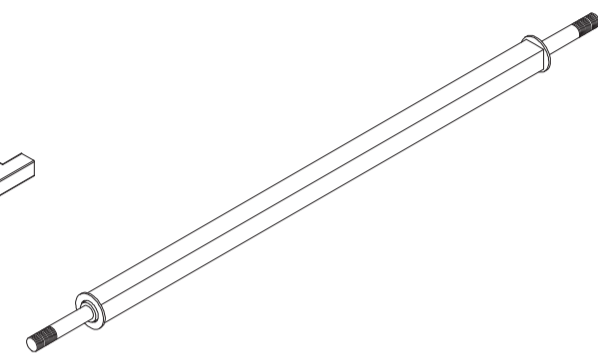
## Assembly instruction



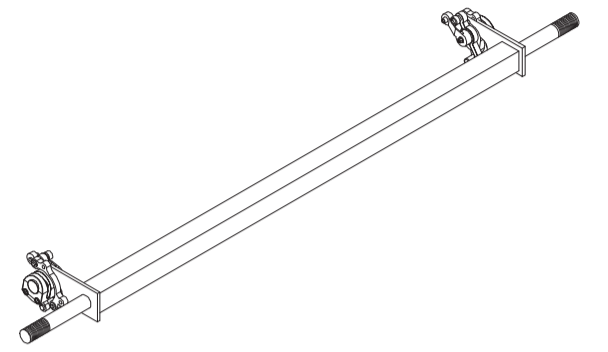
A x1



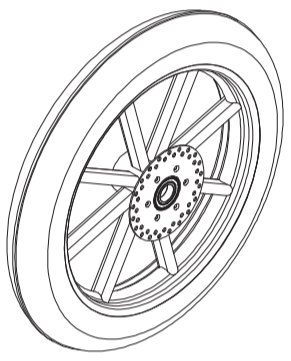
B x1



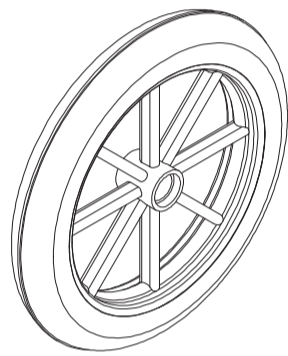
C x1



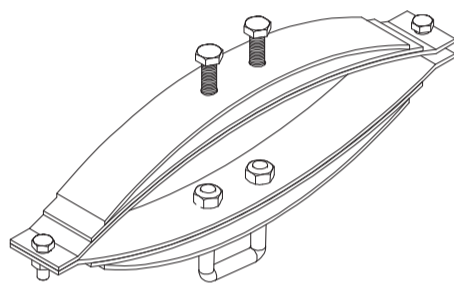
D x1



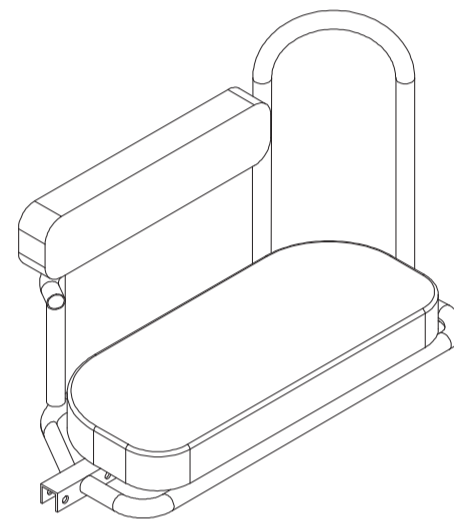
E x2



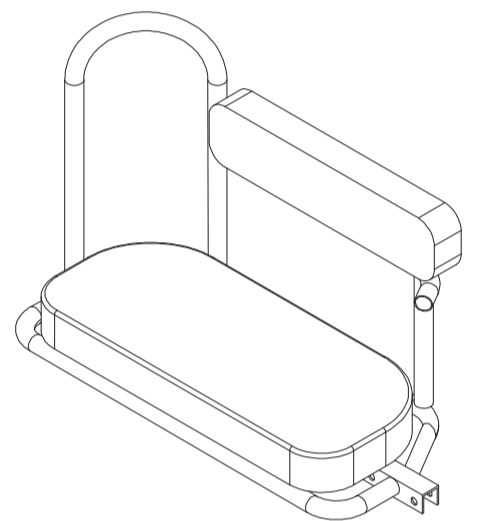
F x2



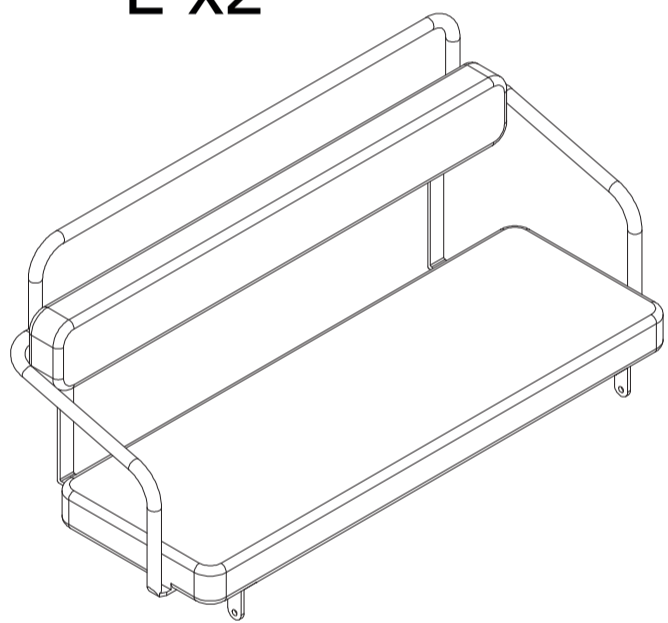
G x4



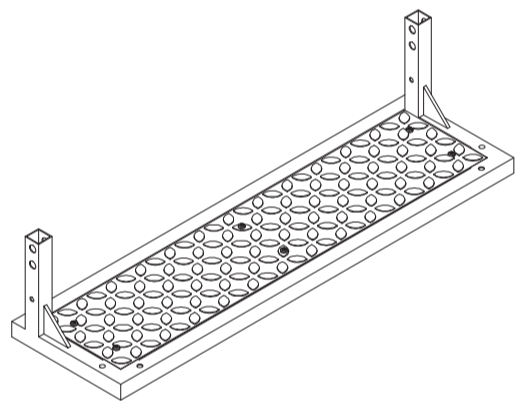
H x1



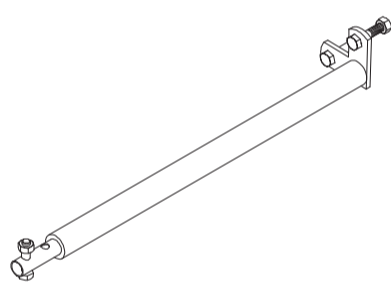
I x1



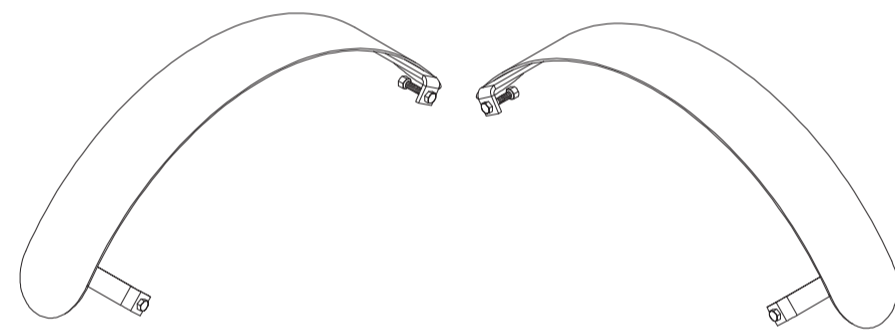
J x1



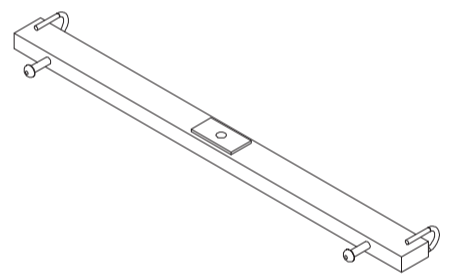
K x1



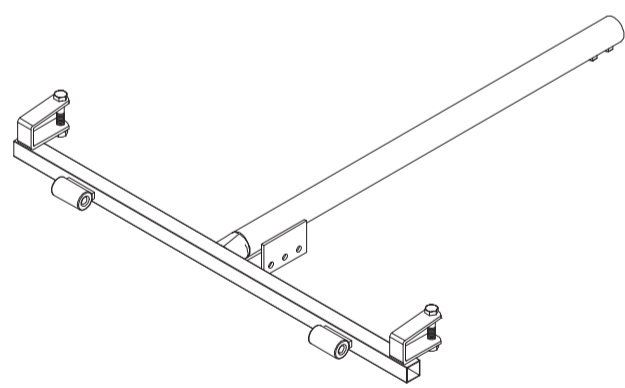
L x2



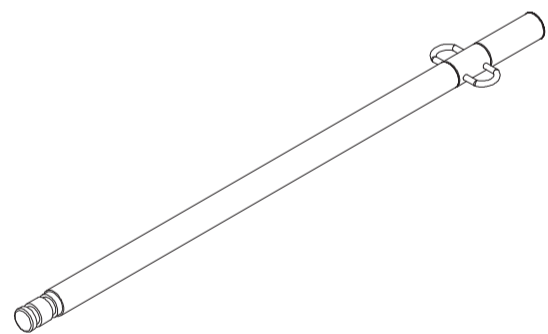
M x1



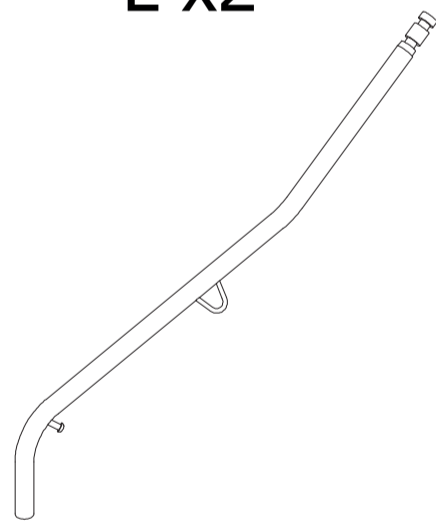
O x3



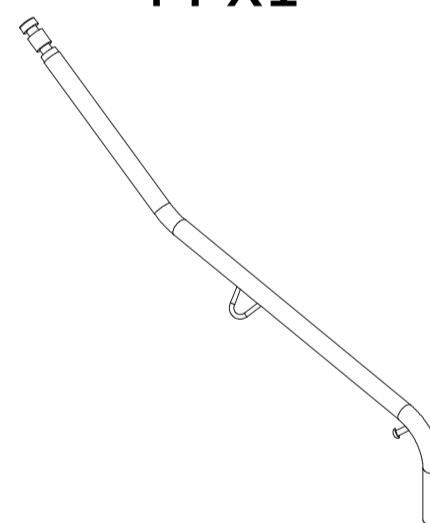
P x1



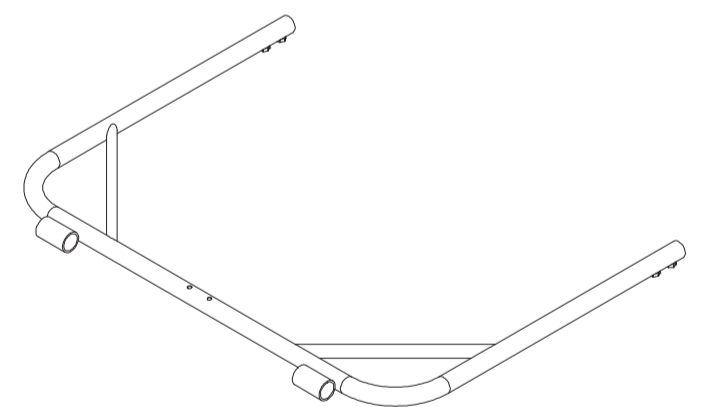
Q x1



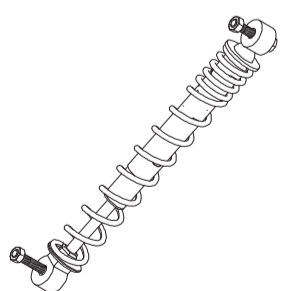
R x1



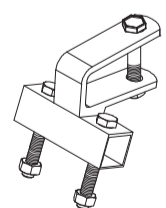
S x1



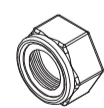
T x1



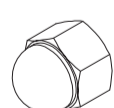
U x1



V x1



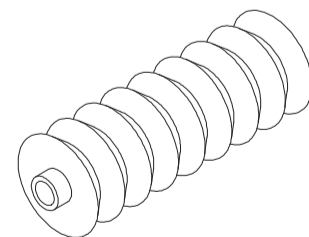
M20  
W x4



M20  
X x4



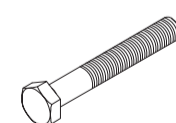
Y x4



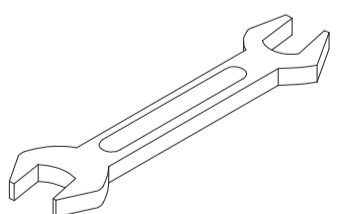
Z x1



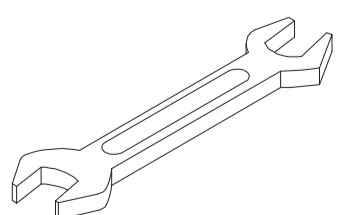
M10-80  
①x2



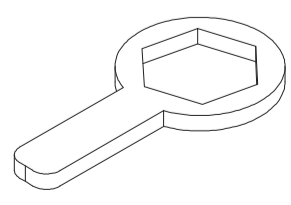
M10  
②x2



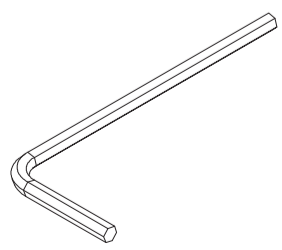
11-13



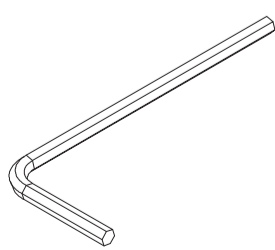
14-17



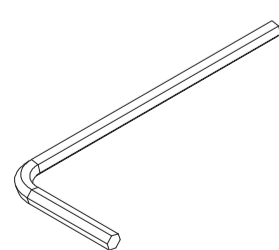
30



#2.5



#4



#5



